

Quiet
Comfort
Powerful
Lightweight

CUTTING POWER

Up to 25w of power (for Fix Connection type), enhanced by the patented TBS and HTC system.



PRESS-N-GO

Quick release chucking system with superior retention force.

Tiger

101 / 300 SERIES

Classic

- EXCELLENT PRICE/PERFORMANCE RATIO
- POWERFUL TORQUE
- USER-FRIENDLY DESIGN

Tiger 101 / 300

POWERFUL, QUIET, LIGHTWEIGHT AND COMFORT

Cutting Power

Up to 25w of power (for Fix Connection type), enhanced by the patented TBS and HTC system.



Press-n-Go

Quick release chucking system with superior retention force.

Triple Spray

Revolutionary multi-spray system produces finest mist and raises cooling efficiency by 30%.

Ergonomic & Hygienic

Comfortable to hold and prevent the debris from storing on the surface of handpiece.

Impact-resistant Coating

Enhance hard chrome-plated surface protects handpiece from impact, scratch and wear-out due to sterilization.

Complete Product Ranges

Compatible with all existing connection systems, simply connect and start.

MODEL

TIGER 300N 3T/3M	T : 08010268 M : 08010269	TTBio EZclick-QD for NSK® QD-J®	
FLEXIBLE CONNECTION			
TIGER 101 3T4/3M4	T : 08010249 M : 08010250	Midwest 4 hole	
FIXED CONNECTION			
TIGER 101 3T2/3M2	T : 08010192 M : 08010193	Borden 2 hole	
FIXED CONNECTION			



Omni-directional LED or Xenon Lighting System
With 25,000 LUX, light is delivered to wherever needed. Built-in Glass Rod ensures high level of lighting performance after repeatedly sterilized.

NSK® and Q-DJ® is the trade marks of NAKANISHI INC., Japan.

25WATTS

Omni-Directional Water Spray System

Omni-Directional multiple spray system provides the excellent cooling efficiency.

HTC Chuck System

The state-of-the-art high tension chuck system is made by special alloy with cutting-edge manufacturing technology.

Press-n-Go

Quick release chucking system with superior retention force.

Lightweight and Ergonomic Design

Decreases the stress on a dentist's hand and wrist.

Easy Grip Coating

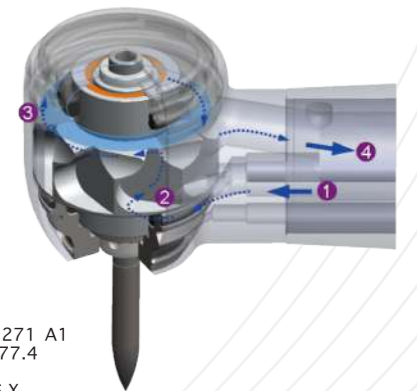
Smooth surface with special multi-layers coating which provide better infection control as well as long-lasting durability and more comfortable to hold.

The Patented TTBio Booster System (TBS*)

The drive air goes through the nozzle powers the impeller. Due to the patented power booster system, the exhaust air is guided by a special asymmetric impeller and grooved back cap. It will tidy up the turbulence and speed up the exhaust airflow. It will upgrade the torque significantly even under heavy loaded operation.

- 1 Drive air jet
- 2 Asymmetric impeller
- 3 Air flow accelerator
- 4 Exhaust nozzle

* Taiwan Patent No.: M451947
U.S.A. Patent No.: US 2014/0212271 A1
German Patent No.: 202013100477.4
Japan Patent No.: 3182759
China Patent No.: 201320012786.X



LIGHTWEIGHT