

Quiet
Comfort
Powerful
Lightweight

OMNI-DIRECTIONAL WATER SPRAY SYSTEM

Quadruple water spray provides supreme cooling and visibility during treatment.

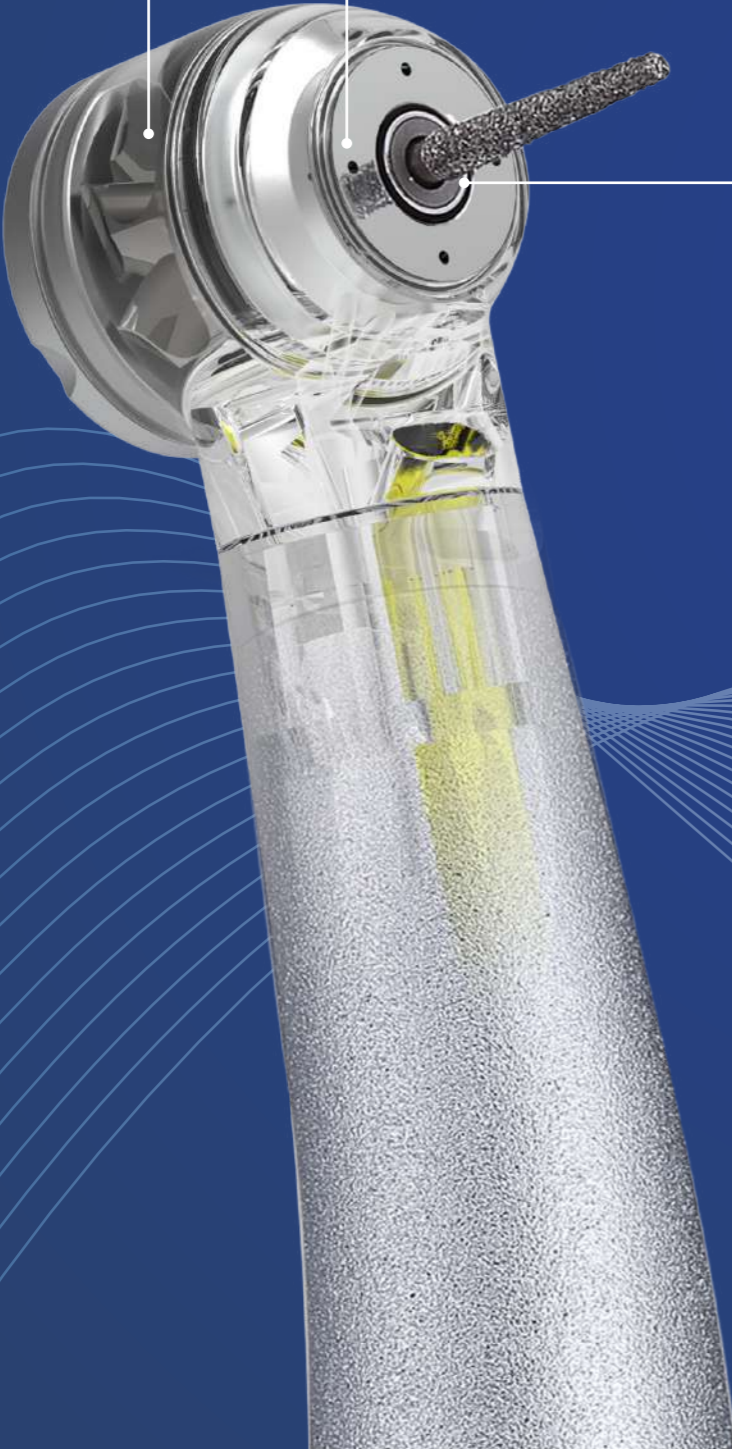
CUTTING POWER

Up to 23 Watts of cutting power, enhanced by the patented TBS and HTC system.

HTC CHUCK SYSTEM

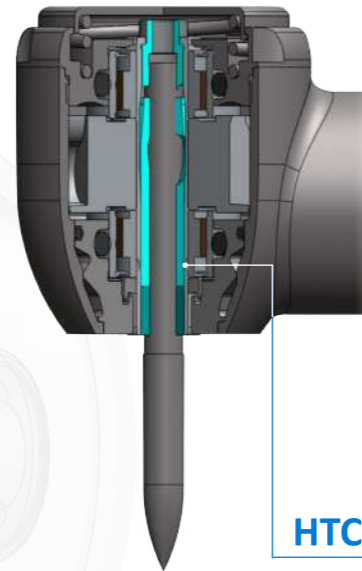
The state-of-the-art high tension chuck system is made by special alloy with cutting-edge manufacturing technology.

EVO
500 SERIES



- PREMIUM QUALITY AND DESIGN
- OUTSTANDING DURABILITY
- BEST TREATMENT PERFORMANCE

DURABILITY



HTC Chuck System

The state-of-the-art high tension chuck system is made by special alloy with cutting-edge manufacturing technology.

MODEL

EVO 500 T / M EVO 500 TL / ML	T : 08010110 M : 08010112 TL : 08010109 ML : 08010111	TTBio EZclick	
EVO 500K T / M EVO 500K TL / ML	T : 08010102 M : 08010104 TL : 08010101 ML : 08010103	TTBio EZclick-K for KaVo® MULTiflex®	
EVO 500N T / M EVO 500N TL / ML	T : 08010106 M : 08010108 TL : 08010105 ML : 08010107	TTBio EZclick-N for NSK® Mach®	
EVO 500W T / M EVO 500W TL / ML	T : 08010123 M : 08010125 TL : 08010122 ML : 08010124	TTBio EZclick-W for W&H® Roto Quick®	
EVO 500Y T / M EVO 500Y TL / ML	T : 08010216 M : 08010218 TL : 08010217 ML : 08010219	TTBio EZclick-Y for Yoshida® LX-503®	



Omni-directional LED or Xenon Lighting System
With 25,000 LUX, light is delivered to wherever needed.
Built-in Glass Rod ensures high level of lighting performance after repeatedly sterilized.

KaVo® and MULTiflex® are the trade marks of Kaltenbach & Voigt GmbH Co., Germany.
W&H® and Roto Quick® are the trade marks of W&H Dentalwerk Bürmoos GmbH, Austria.
NSK® and Q-DJ® and Mach® are the trade marks of NAKANISHI INC., Japan.
YOSHIDA® and LX-503® are the trade marks of Yoshida Dental Mfg. Co., Ltd., Japan.

Omni-Directional Water Spray System

Omni-Directional multiple spray system provides the excellent cooling efficiency.

Omni-Directional Lighting System

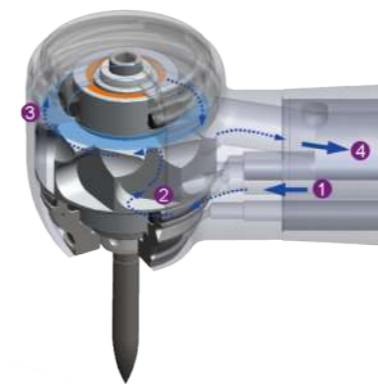
The fiber optic light provides 25,000 lux brightness to the operating environment.

Easy Grip Coating

Smooth surface with special multi-layers coating which provides better infection control and more comfortable to hold.

Lightweight and Ergonomic Design

Decreases the stress on a dentist's hand and wrist.



The Patented TTBio Booster System (TBS*)

The drive air goes through the nozzle powers the impeller. Due to the patented power booster system, the exhaust air is guided by a special asymmetric impeller and grooved back cap. It will tidy up the turbulence and speed up the exhaust airflow. It will upgrade the torque significantly even under heavy loaded operation.

- 1 Drive air jet
- 2 Asymmetric impeller
- 3 Air flow accelerator
- 4 Exhaust nozzle

Stainless Steel Head & Body

High strength stainless steel material and cutting-edge production technology for long-lasting durability and reduces the fatigue on a dentist's hand.

Cutting Power

Up to 23 Watts of cutting power, enhanced by the patented TBS and HTC system.



* Taiwan Patent No.: M451947
U.S.A. Patent No.: US 2014/0212271 A1
German Patent No.: 202013100477.4
Japan Patent No.: 3182759
China Patent No.: 201320012786.X

ERGONOMIC